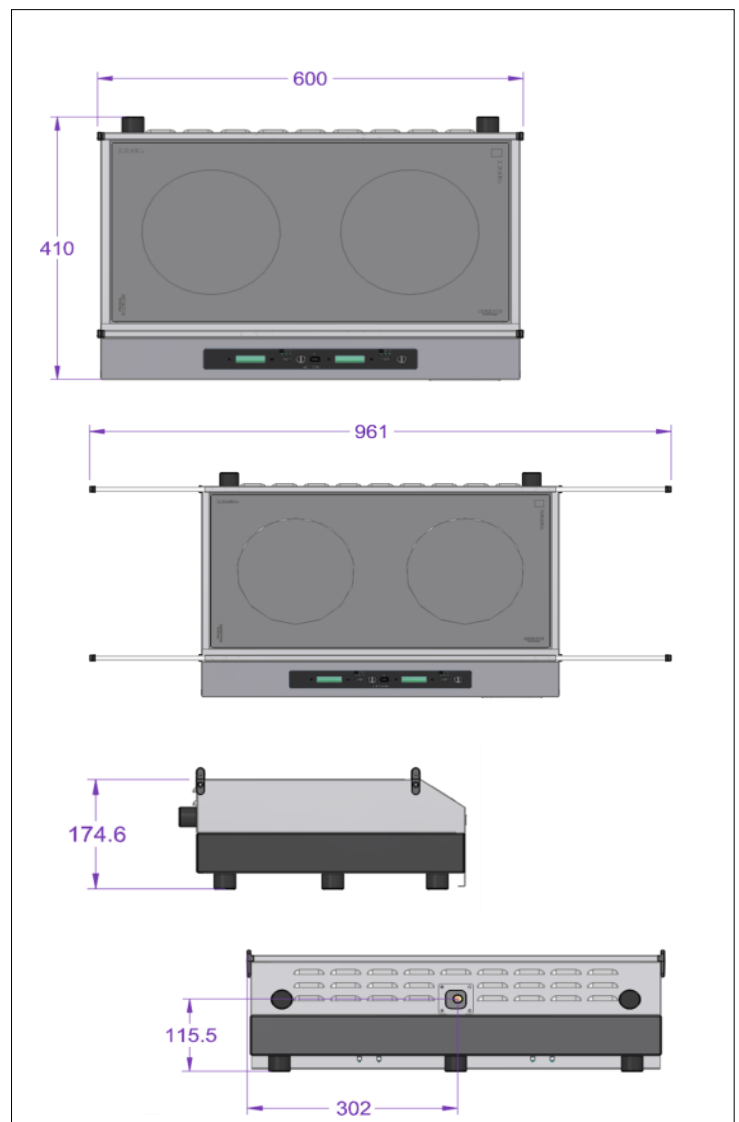
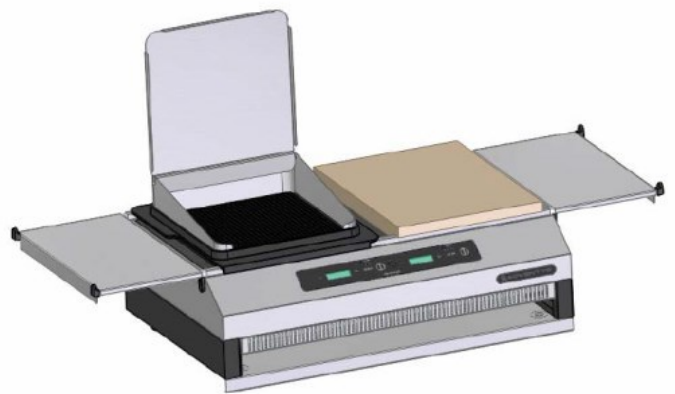


TECHNICAL DATAS	
Materials	Stainless steel and vitroceramic.
Dimensions	410X600X190
Power	3500W (1750W per zone)
Control panel	1 capacitive touches control panel
Ampere	13A
Functions	<p>Temperature adjustment to the nearest degree from 0 to 120°C and by 10°C steps from 120°C up to 250°C + Power setting in watts (1 = 100 watts)</p> <p>Timer</p> <p>Power switch between the 2 zones from 400 to 3000 watts or 3000 watts to 400 with 100 watt steps</p> <p>Heating program for cast iron grill and plancha accessories.</p> <p>Extendable slide on each side for stainless steel shelf or gastronorm container.</p> <p>Specific button the double plancha use</p> <p>Accessory storage.</p>
Supply	<p>230V.</p> <p>220-240V mono (50 / 60 Hz).</p> <p>Included power cord of 1m80 .</p>
Weight	12kg
Standards	Complies with European standards for the safety of electrical devices, CEM, Rohs and SGS.
Details & Option	<p>Includes power cable and washable filter.</p> <p>Included accessories: 2 cast iron grills - 2 cast iron planchas (26x23cm)</p> <p>1 wood chopping block - 1 containers holder - 2 stainless steel shelves - grease guards.</p>



### ADVENTYS

Route de Pagny - 21250 Seurre - France

[www.adventys.com](http://www.adventys.com)

[contact@adventys.com](mailto:contact@adventys.com)

T: 03.80.20.46.15

### Important note

Adventys reserves the right to modify specifications without notice.